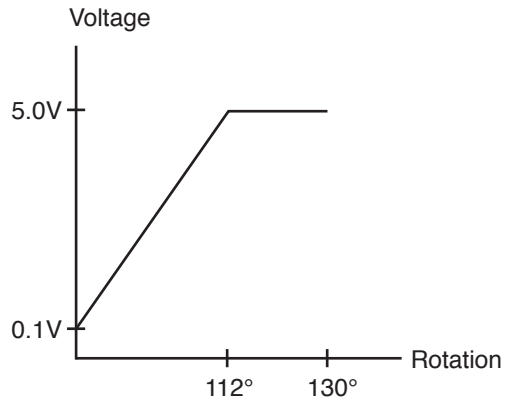
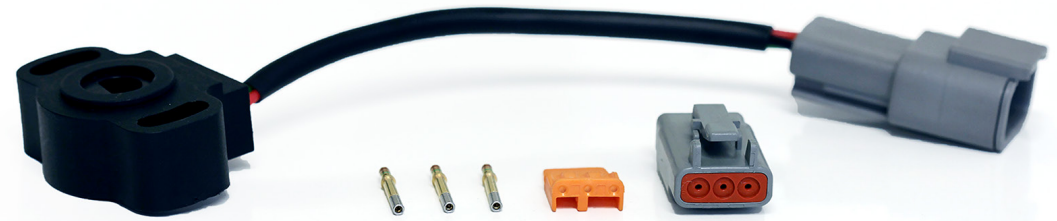
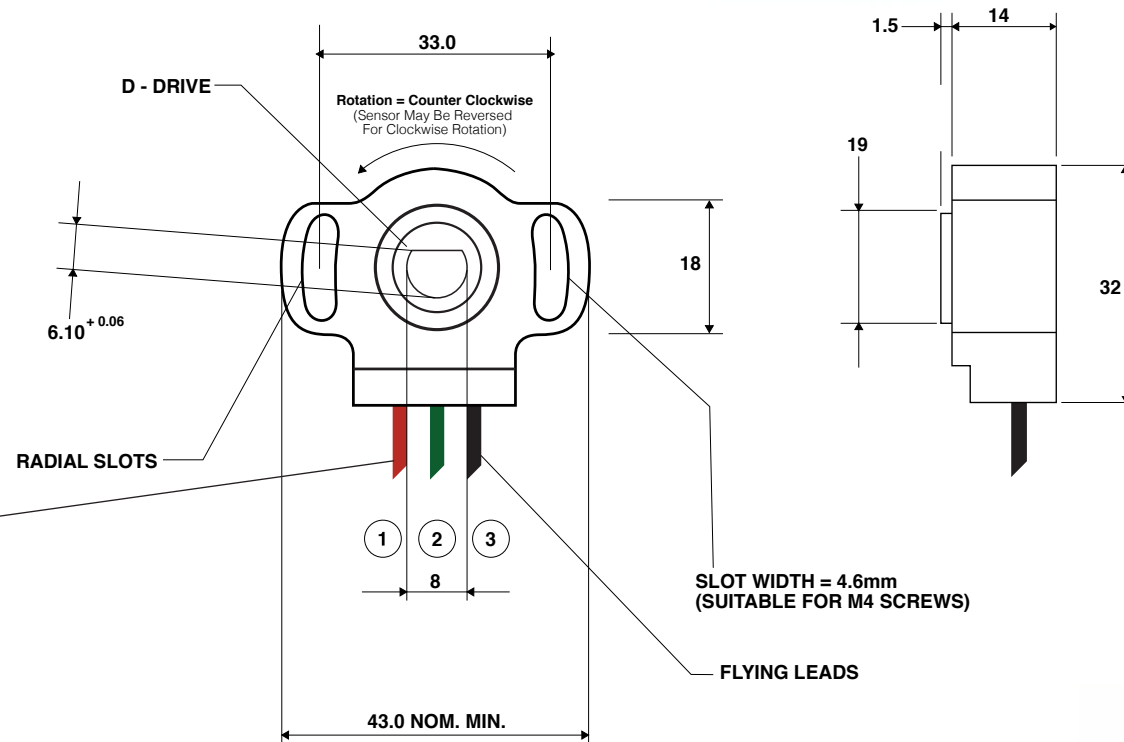


Reversible Throttle Position Sensor with Spring Return



Red(1)	Green(2)	Black(3)
5V In.	Sig. Out.	Sig. GND



Mechanical Specifications	
Rotation	130° ± 5° CCW
Electrical Specifications	
Electrical Travel	112° (As tested by NZEFI)
Environmental Specifications	
Vibration	15 g, 50 to 100 Hz
Standard Operating Temperature Range	- 40° C to + 85° C

Date	Revision:	Drawing No.	Project	Drawn By
01-06-2018	0.00	1	Reversible Universal Throttle Position Sensor	AD

