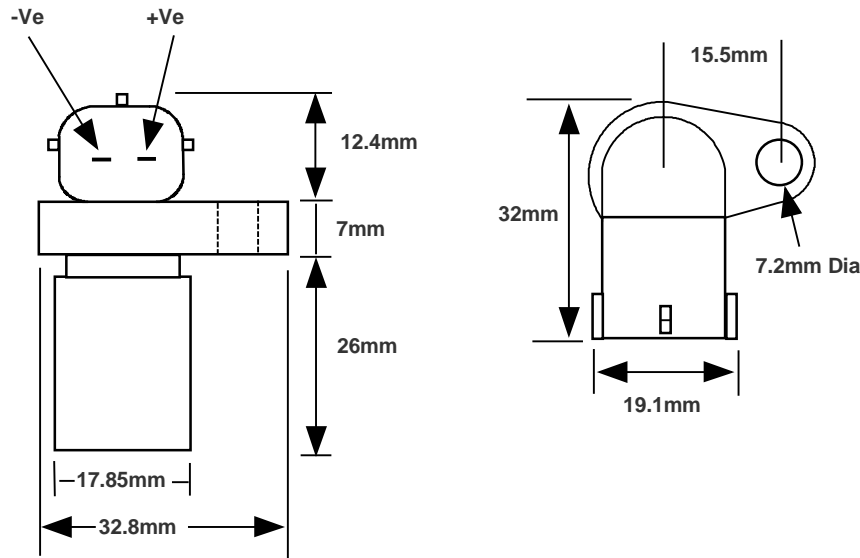
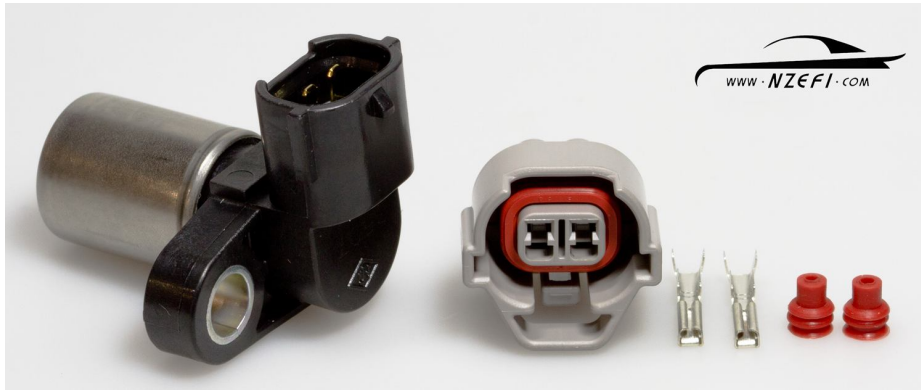
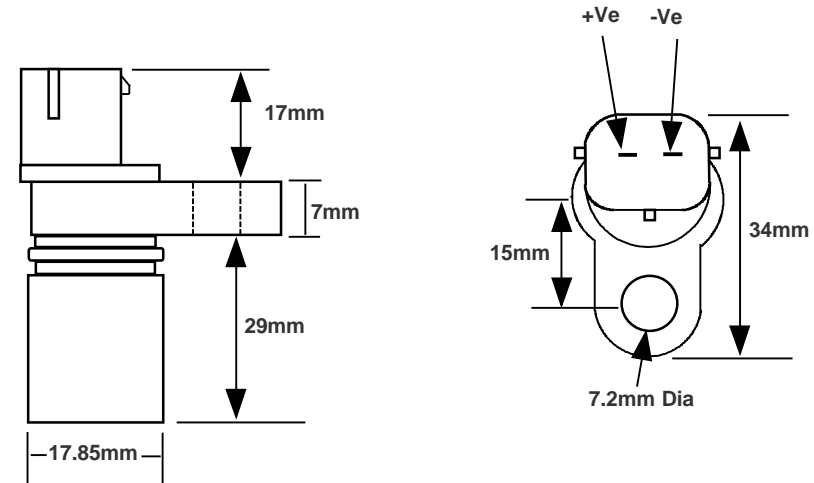
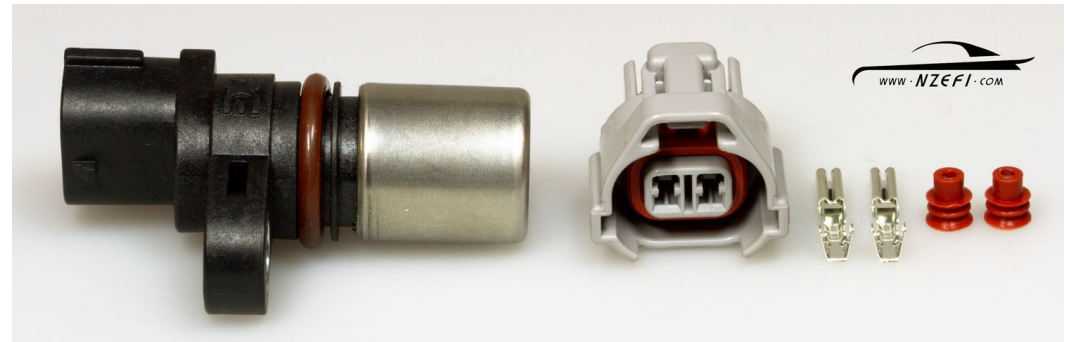


Right Angle Sensor



Straight Sensor



NOTES:

1.) Recommended gap between sensor and trigger wheel is 1mm

2.) Due to vibration and harmonics, the sensor mount must be of very solid construction

3.) Sensor works with ferrous trigger wheels only

DATE: 29/07/2015

REVISION: 0.00

DRAWING No. 1

PROJECT: Cam/Crank Sensors

DRAWN BY: DP

